



# INDUSTRIAL BATTERY CHARGERS

## CR SERIES

100% 6 HR CHARGER

### CONTROLLED FERRO TECHNOLOGY

The controlled ferro technology builds upon the reliability and energy efficiency of the ferro-resonant charger design by adding precise regulation over the entire range of operation.

By controlling the strength of the transformer's resonant field, the charger's output can be increased or decreased as needed based on demand, battery conditions, time of day, or other variables that influence the battery recharging process.

Such precise control of the charger output makes the CP Series an ideal solution for cold storage or sealed lead-acid applications.



**WIDE MODEL SELECTION**  
Advanced controlled ferro-resonant technology. Single and three phase models available

**SUPERIOR QUALITY**  
Built to meet Battery Council International Performance Standards

**FULLY AUTOMATIC**  
Only requires connection to the battery. Charger control monitors performance and reports errors.

**PROGRAMMABLE CURVES**  
272 control can be configured for charging flooded or sealed batteries or customized for your specific application.

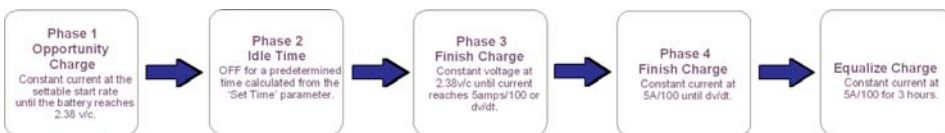
**EFFICIENT DESIGN**  
High power factor and energy efficiency

**LOW MAINTENANCE**  
Simple and proven design provides years of trouble-free service.

**HEAVY DUTY RATING**  
Engineered for three shift applications

**FAIL-SAFE OPERATION**  
Industry-proven ferro-resonant circuitry protects against battery overcharge and incorrect battery connections.

### OPPORTUNITY CHARGING ALGORITHM:



### 46-272 CONTROL



The 272 charge control monitors and controls the charger output based on current charging conditions and/or preset limits.

Pre-configured charge algorithms in the control make setup or reconfiguration easy.

### CHARGER PERFORMANCE *at a glance*



Duty Cycle: LIGHT MED HEAVY

Charging Rate: LOW MED HIGH

Recharge Time: 6 HOURS 8 HRS 12 HOURS



Nationwide Network of Independent Battery Specialists



LISTED BATTERY CHARGER



# CR MODEL AND PERFORMANCE MATRIX

Cells	Amp Hour Capacity	Three Phase
-------	-------------------	-------------

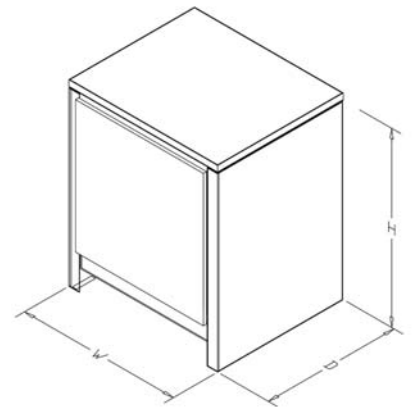
	AH	AH Range	MODEL NUMBER	DC Amps Output	AC Input Volts				Case Size	Shipping Weight
					208V	240V	480V	575V		
12	380	261-380	CRT12-380*	95	8.9	7.7	3.8	3.2	501	191
	475	381-475	CRT12-475*	119	11.1	9.6	4.8	4	501	202
	600	476-600	CRT12-600*	150	14	12.1	6.1	5.1	501	220
	750	601-750	CRT12-750*	188	17.6	15.2	7.6	6.4	501	243
	865	751-865	CRT12-865*	217	20.3	17.6	8.8	7.3	501	243
	965	866-965	CRT12-965*	242	22.6	19.6	9.8	8.2	501	268
	1050	966-1050	CRT12-1050*	263	24.6	21.3	10.6	8.9	501	280
18	475	381-475	CRT18-475*	119	16.7	14.4	7.2	6	501	220
	600	476-600	CRT18-600*	150	21	18.2	9.1	7.6	501	243
	750	601-750	CRT18-750*	188	26.3	22.8	11.4	9.5	501	268
	865	751-865	CRT18-865*	217	30.4	26.3	13.2	11	502	411
	965	866-965	CRT18-965*	242	33.9	29.4	14.7	12.3	502	450
	1050	966-1050	CRT18-1050*	263	36.8	31.9	16	13.3	502	466
	1200	1051-1200	CRT18-1200*	300	42	36.4	18.2	15.2	502	541
1450	1201-1450	CRT18-1450*	363	-	44	22	18.4	502	544	
24	475	381-475	CRT24-475*	119	22.2	19.3	9.6	8	501	243
	600	476-600	CRT24-600*	150	28	24.3	12.1	10.1	501	268
	750	601-750	CRT24-750*	188	35	30.4	15.2	12.7	502	411
	865	751-865	CRT24-865*	216	40.5	35.1	17.6	14.7	502	466
	965	866-965	CRT24-965*	242	45.2	39.2	19.6	16.3	502	544
	1050	966-1050	CRT24-1050*	263	-	42.6	21.3	17.8	502	544
	1200	1051-1200	CRT24-1200*	300	-	-	24.3	20.3	502	591
1450	1201-1450	CRT24-1450*	363	-	-	29.4	24.5	502	697	

\*Requires AC Voltage Code

AC Voltage	1Φ	3Φ
120/208/240	A	N/A
208/240/480	B	B
480/575	N/A	K

## CASE DIMENSIONS

Case	Height		Width		Depth	
	in	cm	in	cm	in	cm
500	20.5	52.0	17.3	44.0	14.8	37.6
501	26	66.0	24.3	61.7	24.6	65.5
502	28	71.1	38.3	97.2	27.6	70.1



your **Power Factor** Dealer:

