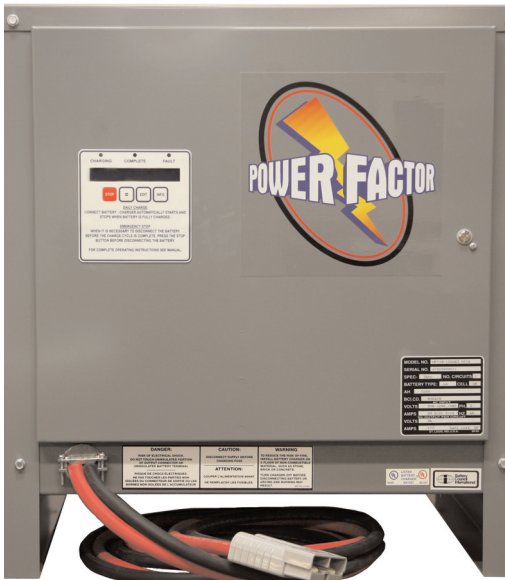


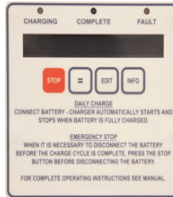
# INDUSTRIAL BATTERY CHARGERS

## H SERIES

80% 8 HR CHARGER



### 46-271 STANDARD CONTROL



Full of features suitable for fleets of all sizes

### WIDE MODEL SELECTION

Single and Three Phase Models Available

### SUPERIOR QUALITY

Built to meet Battery Council International Performance Standards

### FULLY AUTOMATIC

Only requires connection to the battery. Charger control monitors performance and reports errors.

### RUGGED CASE

Sturdy cabinet design allows stacking up to three units

### EFFICIENT DESIGN

High power factor and energy efficiency

### LOW MAINTENANCE

Simple and proven design provides years of trouble-free service.

### FAIL-SAFE OPERATION

Industry-proven ferro-resonant circuitry protects against battery overcharge and incorrect battery connections.

### CASE DESIGN

Exceptional Cooling for long component life

### OVERSIZED HEAT SINK

Reduces diode operating temperatures

### QUICK CHANGEOVER

AC Input taps are easily accessed when needed

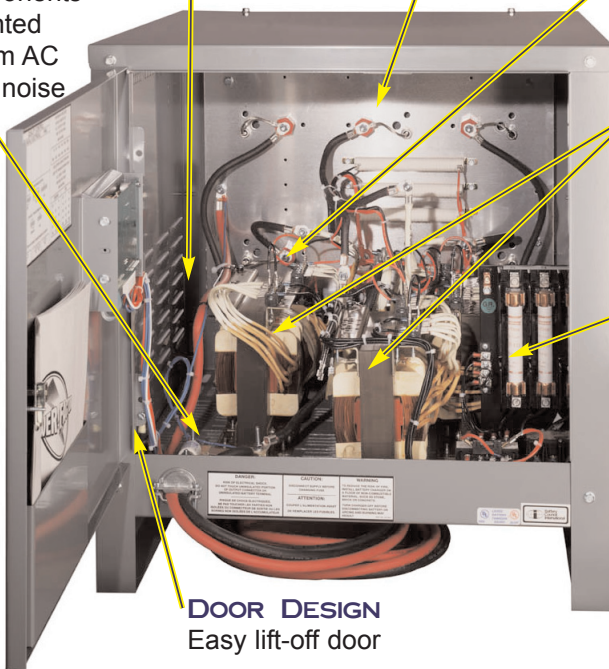
### TRANSFORMER MOUNTING

Maximizes air flow across copper windings

### EASY ACCESS

AC fuses and AC taps are easily accessed for improved servcability

**ISOLATION**  
DC components are mounted away from AC transient noise



**DOOR DESIGN**  
Easy lift-off door

### CHARGER PERFORMANCE *at a glance*

Shifts

Duty Cycle 

LIGHT	MAD	HEAVY
-------	-----	-------

Charging Rate 

LOW	MAD	HIGH
-----	-----	------

Recharge Time 

6 HOURS	8 HOURS	12 HOURS
---------	---------	----------



Nationwide Network of Independent Battery Specialists



LISTED BATTERY CHARGER



# H MODEL AND PERFORMANCE MATRIX

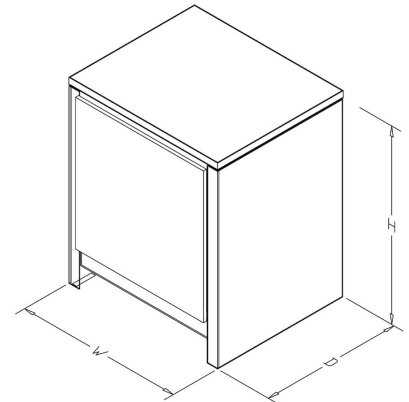
Cells	Amp Hour Capacity		Single Phase								Three Phase						
			MODEL NUMBER	DC Amps Output	AC Input Amps				Case Size	Shipping Weight	MODEL NUMBER	DC Amps Output	AC Input Amps			Case Size	Shipping Weight
	AH	Range			120V	208V	240V	480V					208V	240V	480V		
6	260	181-260	HPS6-260*	38	5.3	3.1	2.7	1.3	500	70							
	380	261-380	HPS6-380*	56	7.8	4.5	3.9	2.0	500	75							
	475	381-475	HPS6-475*	70	9.8	5.7	4.9	2.5	500	79	HPT6-475*	70	3.3	2.8	1.4	501	164
	600	476-600	HPS6-600*	89	12.5	7.2	6.2	3.1	500	82	HPT6-600*	89	4.2	3.6	1.8	501	164
	750	601-750	HPS6-750*	111	15.5	9.0	7.8	3.9	500	88	HPT6-750*	111	5.2	4.5	2.2	501	164
	865	751-865	HPS6-865*	128	17.9	10.3	9.0	4.5	500	88	HPT6-865*	128	6.0	5.2	2.6	501	164
	965	866-965	HPS6-965*	142	19.9	11.5	9.9	5.0	500	88	HPT6-965*	142	6.6	5.7	2.9	501	182
	1050	966-1050									HPT6-1050*	155	7.2	6.3	3.1	501	182
	1200	1051-1200									HPT6-1200*	177	8.3	7.2	3.6	501	182
	1450	1201-1450									HPT6-1450*	214	10.0	8.7	4.3	501	191
1750	1451-1750									HPT6-1750*	258	12.0	10.4	5.2	501	202	
2200	1751-2200									HPT6-2200*	324	15.1	13.1	6.6	501	220	
12	260	181-260	HPS12-260*	38	10.7	6.2	5.4	2.7	500	82							
	380	261-380	HPS12-380*	56	15.7	9.0	7.8	3.9	500	88	HPT12-380*	56	5.2	4.5	2.3	501	164
	475	381-475	HPS12-475*	70	19.6	11.3	9.8	4.9	500	96	HPT12-475*	70	6.5	5.7	2.8	501	164
	600	476-600	HPS12-600*	89	-	14.4	12.5	6.2	500	104	HPT12-600*	89	8.0	7.2	3.6	501	182
	750	601-750	HPS12-750*	111	-	17.9	15.5	7.8	500	117	HPT12-750*	111	10.4	9.0	4.5	501	191
	865	751-865	HPS12-865*	128	-	20.7	17.9	9.0	500	117	HPT12-865*	128	12.0	10.4	5.2	501	202
	965	866-965	HPS12-965*	142	-	22.9	19.9	9.9	501	190	HPT12-965*	142	13.3	11.5	5.7	501	202
	1050	966-1050									HPT12-1050*	155	14.5	12.5	6.3	501	202
	1200	1051-1200									HPT12-1200*	177	16.5	14.3	7.2	501	220
	1450	1201-1450									HPT12-1450*	214	20.0	17.3	8.7	501	243
1750	1451-1750									HPT12-1750*	258	24.1	20.9	10.4	502	268	
2200	1751-2200									HPT12-2200*	324	30.3	26.2	13.1	502	307	
18	260	181-260	HPS18-260*	38	16.0	9.3	8.0	4.0	500	88							
	380	261-380	HPS18-380*	56	23.5	13.6	11.8	5.9	500	109							
	475	381-475	HPS18-475*	70	-	17.0	14.7	7.4	500	109	HPT18-475*	70	9.8	8.5	4.2	501	191
	600	476-600	HPS18-600*	89	-	21.6	18.7	9.3	501	190	HPT18-600*	89	12.5	10.8	5.4	501	202
	750	601-750	HPS18-750*	111	-	26.9	23.3	11.7	501	207	HPT18-750*	111	15.5	13.5	6.7	501	220
	865	751-865	HPS18-865*	128	-	31.0	26.9	13.4	501	227	HPT18-865*	128	17.9	15.5	7.8	501	220
	965	866-965	HPS18-965*	142	-	34.4	29.8	14.9	501	227	HPT18-965*	142	19.9	17.2	8.6	501	243
	1050	966-1050									HPT18-1050*	155	21.7	18.8	9.4	501	243
	1200	1051-1200									HPT18-1200*	177	24.8	21.5	10.7	501	268
	1450	1201-1450									HPT18-1450*	214	30.0	26.0	13.0	501	307
1750	1451-1750									HPT18-1750*	258	36.1	31.3	15.7	502	411	
24	260	181-260	HPS24-260*	38	21.3	12.3	10.7	5.4	500	96							
	380	261-380	HPS24-380*	56	-	18.1	15.7	7.8	500	117	HPT24-380*	56	10.5	9.1	4.5	501	191
	475	381-475	HPS24-475*	70	-	22.6	19.6	9.8	500	179	HPT24-475*	70	13.1	11.3	5.7	501	202
	600	476-600	HPS24-600*	89	-	28.8	24.9	12.5	501	227	HPT24-600*	89	16.6	14.4	7.2	501	220
	750	601-750	HPS24-750*	111	-	35.9	31.1	15.5	501	227	HPT24-750*	111	20.7	18.0	9.0	501	243
	865	751-865	HPS24-865*	128	-	41.4	35.8	17.9	501	227	HPT24-865*	128	23.9	20.7	10.4	501	268
	965	866-965	HPS24-965*	142	-	45.9	39.8	19.9	501	242	HPT24-965*	142	26.5	23.0	11.5	501	307
	1050	966-1050									HPT24-1050*	155	28.9	25.1	12.5	501	307
	1200	1051-1200									HPT24-1200*	177	33.1	28.6	14.3	502	466
	1450	1201-1450									HPT24-1450*	214	40.0	34.6	17.3	502	466
1750	1451-1750									HPT24-1750*	258	-	-	20.9	502	544	

\*Requires AC Voltage Code

AC Voltage	1Φ	3Φ
120/208/240	A	N/A
208/240/480	B	B
480/575	N/A	K

## CASE DIMENSIONS

Case	Height		Width		Depth	
	in	cm	in	cm	in	cm
500	20.5	52.0	17.3	44.0	14.8	37.6
501	26	66.0	24.3	61.7	24.6	65.5
502	28	71.1	38.3	97.2	27.6	70.1



your **Power Factor** Dealer: