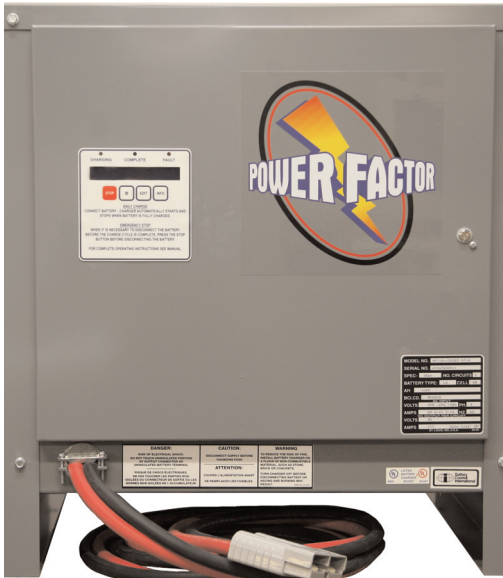


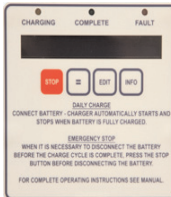
# INDUSTRIAL BATTERY CHARGERS

## XR SERIES

100% 6 HR CHARGER



### 46-271 STANDARD CONTROL



Full of features suitable for fleets of all sizes

### 46-272 CONTROL



Upgrade for full battery management capabilities

### OVERSIZED HEAT SINK

Reduces diode operating temperatures

### QUICK CHANGEOVER

AC Input taps are easily accessed when needed

### TRANSFORMER MOUNTING

Maximizes air flow across copper windings

### EASY ACCESS

AC fuses and AC taps are easily accessed for improved servcability

### CONTROL OPTIONS

Common connector makes upgrade a snap

**DOOR DESIGN**  
Easy lift-off door

**CASE DESIGN**  
Exceptional Cooling for long component life

**ISOLATION**  
DC components are mounted away from AC transient noise

## WIDE MODEL SELECTION

Single and Three Phase Models Available

## SUPERIOR QUALITY

Built to meet Battery Council International Performance Standards

## FULLY AUTOMATIC

Only requires connection to the battery. Charger control monitors performance and reports errors.

## CONTROL OPTIONS

Use our standard control or upgrade to the 272 with Tobi Pi for a full battery management system

## RUGGED CASE

Sturdy cabinet design allows stacking up to three units

## EFFICIENT DESIGN

High power factor and 88% energy efficiency

## LOW MAINTENANCE

Simple and proven design provides years of trouble-free service.

## HEAVY DUTY RATING

Engineered for three shift applications

## FAIL-SAFE OPERATION

Industry-proven ferro-resonant circuitry protects against battery overcharge and incorrect battery connections.

## CHARGER PERFORMANCE *at a glance*

Shifts

Duty Cycle 

LIGHT	MED	HEAVY
-------	-----	-------

Charging Rate 

LOW	MED	HIGH
-----	-----	------

Recharge Time 

6 HOURS	8 HOURS	12 HOURS
---------	---------	----------

**Power Factor** Nationwide Network of Independent Battery Specialists



LISTED BATTERY CHARGER



# XP MODEL AND PERFORMANCE MATRIX

Cells	Amp Hour Capacity	Three Phase								
-------	-------------------	-------------	--	--	--	--	--	--	--	--

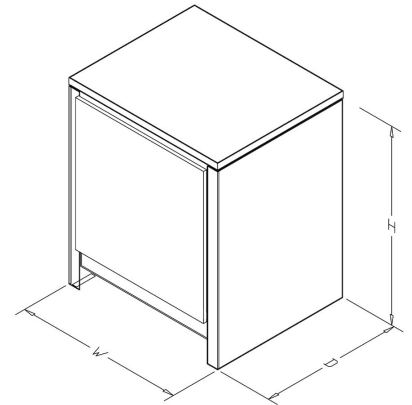
	AH	AH Range	MODEL NUMBER	DC Amps Output	AC Input Volts				Case Size	Shipping Weight
					208V	240V	480V	575V		
12	380	261-380	XRT12-380*	95	8.9	7.7	3.8	3.2	501	191
	475	381-475	XRT12-475*	119	11.1	9.6	4.8	4	501	202
	600	476-600	XRT12-600*	150	14	12.1	6.1	5.1	501	220
	750	601-750	XRT12-750*	188	17.6	15.2	7.6	6.4	501	243
	865	751-865	XRT12-865*	217	20.3	17.6	8.8	7.3	501	243
	965	866-965	XRT12-965*	242	22.6	19.6	9.8	8.2	501	268
	1050	966-1050	XRT12-1050*	263	24.6	21.3	10.6	8.9	501	280
18	475	381-475	XRT18-475*	119	16.7	14.4	7.2	6	501	220
	600	476-600	XRT18-600*	150	21	18.2	9.1	7.6	501	243
	750	601-750	XRT18-750*	188	26.3	22.8	11.4	9.5	501	268
	865	751-865	XRT18-865*	217	30.4	26.3	13.2	11	502	411
	965	866-965	XRT18-965*	242	33.9	29.4	14.7	12.3	502	450
	1050	966-1050	XRT18-1050*	263	36.8	31.9	16	13.3	502	466
	1200	1051-1200	XRT18-1200*	300	42	36.4	18.2	15.2	502	541
1450	1201-1450	XRT18-1450*	363	-	44	22	18.4	502	544	
24	475	381-475	XRT24-475*	119	22.2	19.3	9.6	8	501	243
	600	476-600	XRT24-600*	150	28	24.3	12.1	10.1	501	268
	750	601-750	XRT24-750*	188	35	30.4	15.2	12.7	501	411
	865	751-865	XRT24-865*	216	40.5	35.1	17.6	14.7	502	466
	965	866-965	XRT24-965*	242	45.2	39.2	19.6	16.3	502	544
	1050	966-1050	XRT24-1050*	263	-	42.6	21.3	17.8	502	544
	1200	1051-1200	XRT24-1200*	300	-	-	24.3	20.3	502	591
	1450	1201-1450	XRT24-1450*	363	-	-	29.4	24.5	502	697

\*Requires AC Voltage Code

AC Voltage	1Φ	3Φ
120/208/240	A	N/A
208/240/480	B	B
480/575	N/A	K

## CASE DIMENSIONS

Case	Height		Width		Depth	
	in	cm	in	cm	in	cm
500	20.5	52.0	17.3	44.0	14.8	37.6
501	26	66.0	24.3	61.7	24.6	65.5
502	28	71.1	38.3	97.2	27.6	70.1



your **Power Factor** Dealer: